

# Plati 130

Smartfill  
available

Collection: Elevate  
Former name: Fotia



## Back-to-wall freestanding bath

- 1500 mm or 1700 mm sizes
- No overflow, overflow hole, or Smartfill system

Get the look of a freestanding bath with the practicality of a built-in bath. Sleek and practical, this minimalist design combines the beauty of a freestanding bath with the practicality of a bath that sits flush against the wall. Perfect for compact bathrooms.

- Sits flush against the wall
- Seamless design
- White sanitary grade acrylic, high gloss finish
- Excellent heat retention properties
- Adjustable support feet

## Order codes

### No overflow or Overflow hole

192116	Plati 130, no overflow, 1500 long
192117	Plati 130, no overflow, 1700 long
192248	Plati 130, with overflow hole, 1500 long
192249	Plati 130, with overflow hole, 1700 long

Order Bath Wastes and FlexiWaste Bath Kits and Overflow Kits separately. The bath can be installed using a flexible connector pipe (not supplied). Always use the actual product to verify placement.

### Product details

OVERFLOW	No overflow, or overflow hole
WASTE	Suits 40 mm waste, not supplied

Bath wastes and kits  
(available separately)



### Smartfill system

192580	Plati 130, 1500 mm, Smartfill, Brushed Nickel
192581	Plati 130, 1500 mm, Smartfill, Gunmetal
192582	Plati 130, 1500 mm, Smartfill, Brushed Gold
192583	Plati 130, 1500 mm, Smartfill, Black
192584	Plati 130, 1700 mm, Smartfill, Brushed Nickel
192585	Plati 130, 1700 mm, Smartfill, Gunmetal
192586	Plati 130, 1700 mm, Smartfill, Brushed Gold
192587	Plati 130, 1700 mm, Smartfill, Black

### Product details – Smartfill

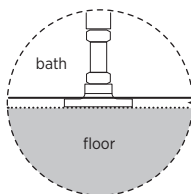
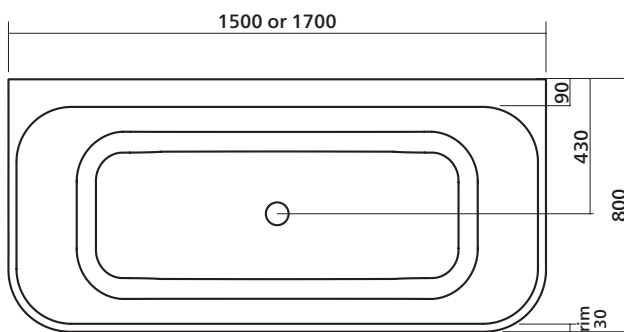
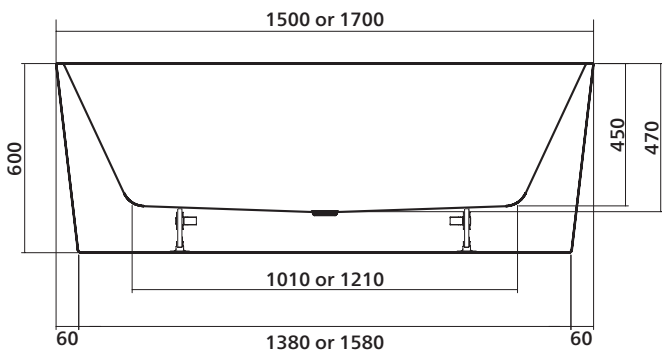
COLOURS	Smartfill bezel and waste available in Brushed Nickel, Gunmetal, Brushed Gold and Black
OVERFLOW	Smartfill system includes overflow
WASTE	Smartfill system includes Pop-out Bath Waste, colour options

## Installation

Refer to installation instructions.

The bath is supplied with four adjustable support feet on the base frame of the bath. Position the bath and use the adjustable feet to level the bath. Leave a 3mm void between the base of the bath and the floor. Use silicone around the base to seal the bath to the floor. Allow a 20mm gap in the silicone seal as a weephole (gap is designed to reveal any plumbing leakage).

Use acetic cured silicone sealant. Do not use epoxy type adhesives.



Leave a 3mm gap between base of bath and floor. Use silicone to seal base of bath to floor, leaving a 20mm weephole.



Plati 130

# SEIMA

kitchen + laundry + bathroom ware

seima.com.au

### Please note

- All measurements are in millimetres.
- Dimensions are nominal and subject to normal manufacturing variations.
- Fixing: Use silicone sealant. Do not use epoxy type adhesives.
- Specifications may vary without notice as part of our continuous improvement practices.
- Clean with a damp cloth. Do not use abrasive cleaners, liquids or pastes.

## Planning Guide for baths installed with

# Smartfill®

## Bath filler + overflow by Seima

### Important !

Must be installed by a licensed plumber in accordance with Australian Standard AS3500 and meet all requirements of local licensing authorities.

Smartfill system includes FlexiWaste overflow kit with Pop-out bath waste

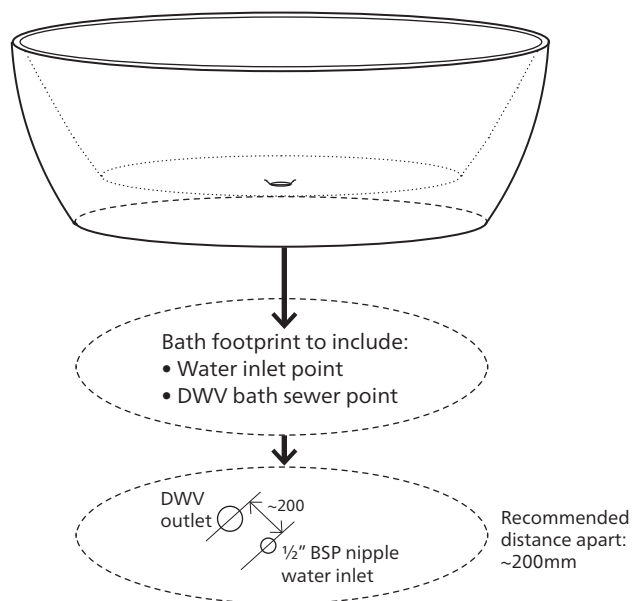
## Smartfill Planning + Pre-lay Guide

The plumbing set-up for Smartfill normally requires advance planning, to place the plumbing inlet and outlet in the best positions for your bath location.

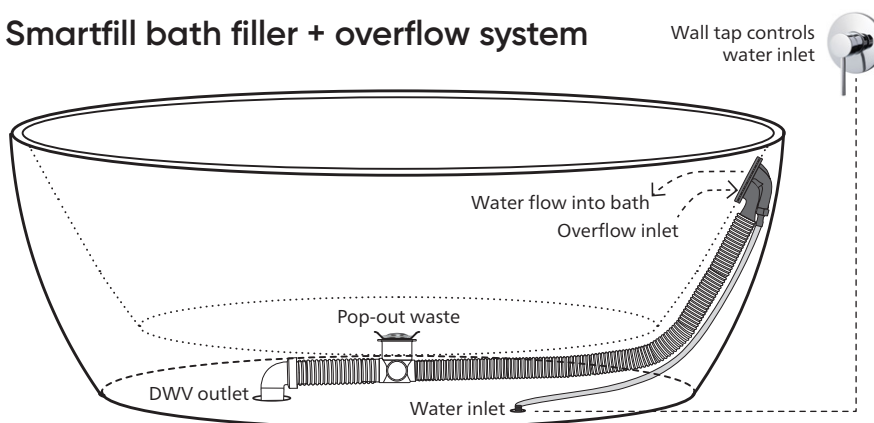
The Smartfill system simply requires the plumbing to be placed under the bath within the bath footprint:

- **Water Inlet Point**  
1/2" BSP nipple — to protrude a minimum of 30mm above FFL (finished floor level).  
(This water point will be controlled via a wall mixer or other tapware, to fill the bath.)
- **DWV Bath Sewer Point**  
Water outlet

The water inlet nipple and waste outlet pipe can be placed anywhere within the footprint of the bath and there must be sufficient clearance for connection pipes. The recommended distance between the Water Inlet Point and DWV Point is around 200mm but this is not essential.



## Smartfill bath filler + overflow system



# SEIMA

kitchen + laundry + bathroom ware

[seima.com.au](http://seima.com.au)



**WaterMark**

WMTS 040 LN 23422  
ID: 192130, 191992,  
191993



Designed and made in Australia  
by Seima. This Seima innovation  
is a patented, registered design.